

NOTES :

1. MATERIAL :
 HOUSING : HIGH TEMPERATURE NYLON , GLASS FIBRE FILLED, UL94-V0 , COLOR: BLACK
 TERMINAL : PHOSPHOR BRONZE
 METAL SHELL : DEEP DRAWN STEEL

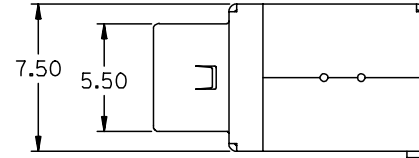
2. PLATING :
 TERMINAL :
 CONTACT AREA : (a) GOLD FLASH,
 (b) GOLD (Au), THICKNESS = 30 MICROINCH MINIMUM.
 SOLDER TAIL :
 PURE TIN THICKNESS= 75 MICROINCH MINIMUM .
 UNDER PLATE : NICKEL (Ni), THICKNESS= 50 MICROINCH MINIMUM.
 METAL SHELL :
 TIN (Sn) ALLOY , THICKNESS= 100 MICROINCH MINIMUM.
 UNDER PLATE : NICKEL (Ni), THICKNESS= 50 MICROINCH MINIMUM.

3. RECOMMENDED PCB THICKNESS : 1.60±0.05 mm

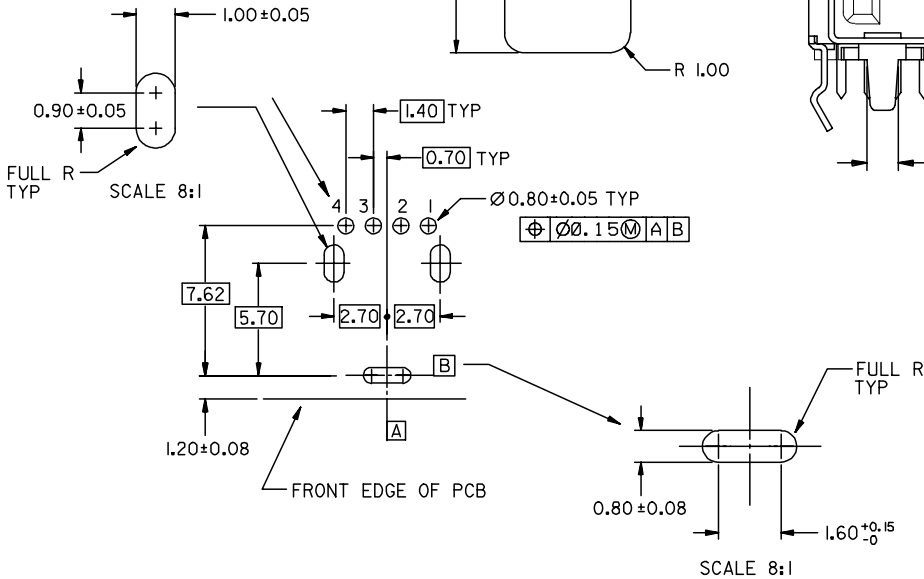
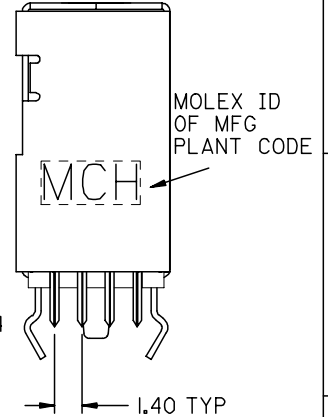
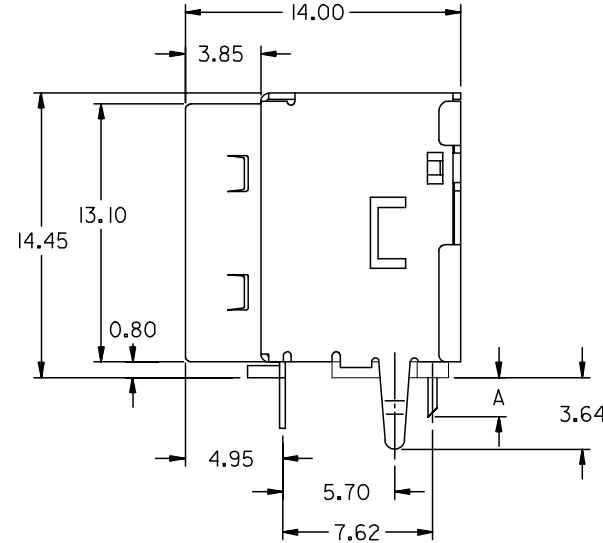
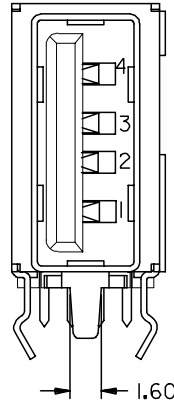
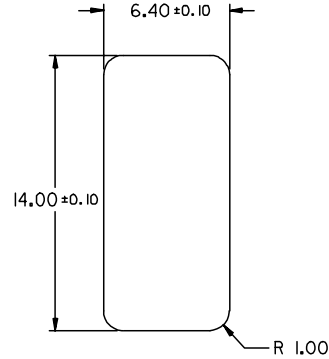
4. PRODUCT SPECIFICATION : REFER TO PS-89485

5. TRAY PACKAGING SPECIFICATION REFER TO : PK-89485-002
 TUBE PACKAGING SPECIFICATION REFER TO : PK-89485-001
 TUBE PACKAGING P/N, PLEASE REFER TO SHEET 2,3

DIMENSION "A"	P/N FOR TRAY PACKING	
2.00 ^{+0.35} _{-0.15}	89485-8000	GOLD FLASH PLATING ON CONTACT AREA
	89485-8001	30 MICRO INCH GOLD PLATING ON CONTACT AREA
2.50 ^{+0.35} _{-0.10}	89485-8002	GOLD FLASH PLATING ON CONTACT AREA
	89485-8003	30 MICRO INCH GOLD PLATING ON CONTACT AREA



Recommended Panel Opening



					MATERIAL :	SEE NOTE	 MOLEX TAIWAN LTD. SHEET 1 OF 3
					FINISH :	SEE NOTE	
					WIRE RANGE :	N/A	GENERAL TOLERANCES ANGLE : ± 3° DIM : ± .25/.010
					INS. RANGE :	N/A	ENG. NO.: SD-89485-003
A	NEW RELEASE FOR LEAD-FREE		DAVID HJ	2004/11/5	DRAWN BY DAVID HJ	CHK'D BY	REV A
LTR	REVISION RECORD	ECN	DR	DATE	APPR'D BY	SCALE 4:1	TITLE : SINGLE PORT UP-RIGHT USB CONNECTOR (LEAD-FREE)
REVISE ONLY ON CAD SYSTEM							

8 7 6 5 4 3 2 1

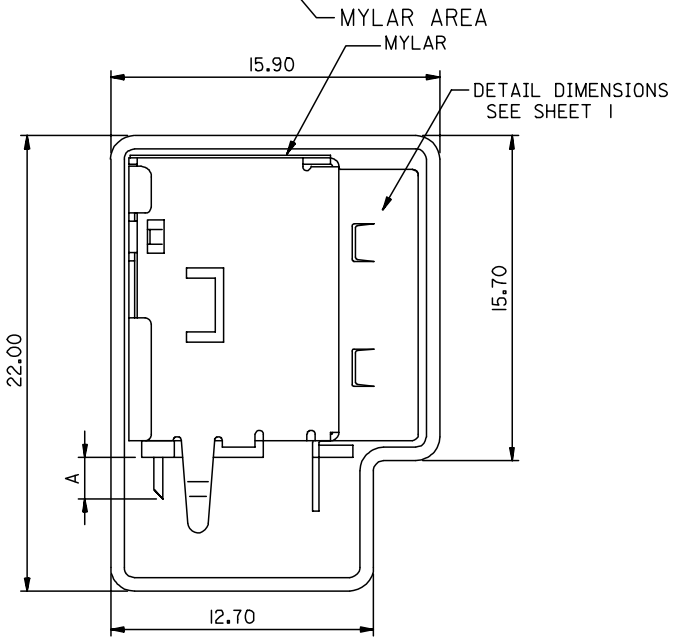
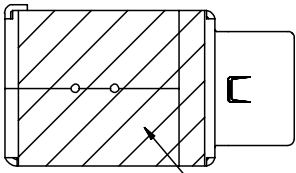
ENG. NO

EDP NO.

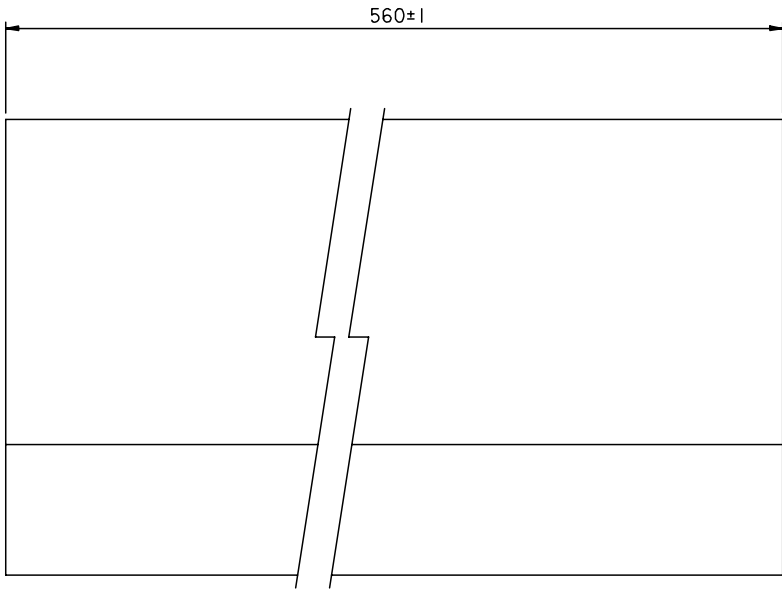
SIMILAR ITEM

CADFILE NO.

DO NOT SCALE DRAWING



NOTE:
 1.DETAIL DIMENSIONS , PLEASE REFER TO SHEET 1 OF SD-89485-003
 2.THE TUBE PACKAGE INCLUDE TWO PLUGS ON RIGHT AND LEFT SIDES.
 3.TUBE PACKAGING SPECIFICATION REFER TO: PK-89485-001



PART NUMBER LEGEND:

P/N FOR TUBE PACKING AND MYLAR ADDITION			
MATERIAL NUMBER	DIMENSION 'A'	PLATING SPECIFICATION	
WITH MYLAR	2.00 ^{+0.35} _{-0.15}	GOLD FLASH PLATING ON CONTACT AREA	
		30 MICRO INCH GOLD PLATING ON CONTACT AREA	
	2.50 ^{+0.35} _{-0.10}	GOLD FLASH PLATING ON CONTACT AREA	
		30 MICRO INCH GOLD PLATING ON CONTACT AREA	

NEW RELEASE EC NO. DRAWN: DAVID HU 2004/10/28 CHK: APPR:	QUALITY SYMBOLS
	DESCRIPTION
A	REV

GENERAL TOLERANCES: (UNLESS SPECIFIED)	
4 PLACES	± .
3 PLACES	± .
2 PLACES	±0.25
1 PLACE	±0.25
ANGULAR: ±3°	
DRAFT WHERE APPLICABLE MUST REMAIN WITHIN DIMENSIONS	

SCALE 4 : 1	DESIGN UNITS <input checked="" type="checkbox"/> mm <input type="checkbox"/> INCH
DRAWN BY & DATE DAVID HU 2004/10/28	
CHECKED BY & DATE	
APPROVED BY & DATE	
CAD FILENAME S8948503.S02	

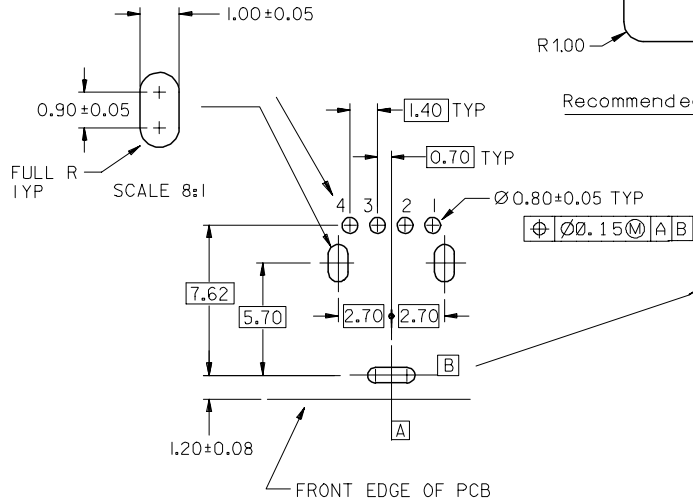
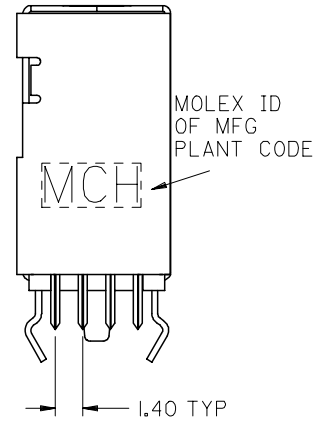
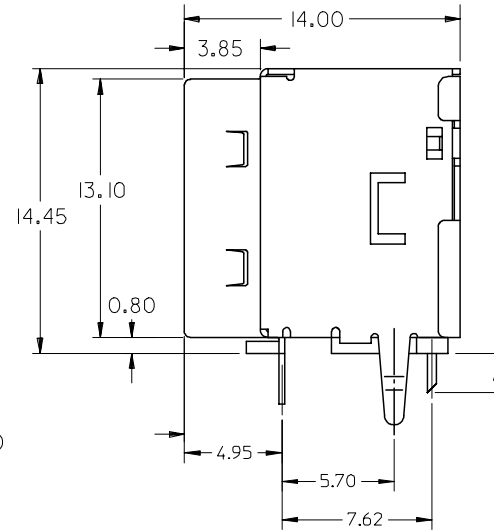
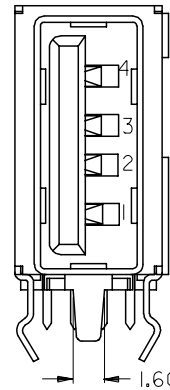
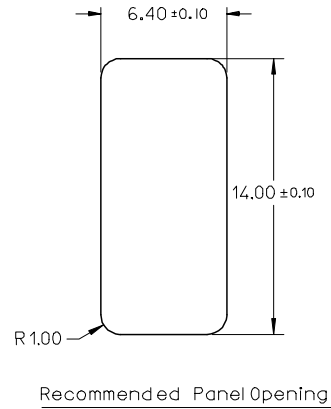
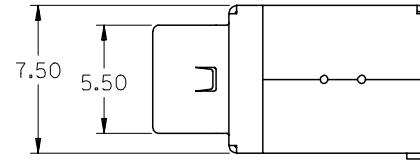
THIRD ANGLE PROJECTION		DIMENSIONS: <input type="checkbox"/> mm <input type="checkbox"/> INCH <input checked="" type="checkbox"/> mm ONLY		SHT	REV
TITLE: USB A UPRIGHT 89485 WITH MYLAR BY TUBE PACKAGE (LEAD-FREE)		MATERIAL NO. SEE TABLE		DRAWING NO. SD-89485-003	SHEET NO. 2
MOLEX INCORPORATED		THIS DRAWING CONTAINS INFORMATION THAT IS PROPRIETARY TO MOLEX INCORPORATED AND SHOULD NOT BE USED WITHOUT WRITTEN PERMISSION.			
				SIZE A3	

NOTE:
 1.MATERIAL:
 HOUSING-HIGH TEMPERATURE NYLON, GLASS FIBRE FILLED, UL94-V0, COLOR-BLACK
 TERMINAL-PHOSPHOR BRONZE
 METAL SHELL-DEEP DRAWN STEEL

2.PLATING:
 TERMINAL:
 (a)GOLD FLASH ON THE CONTACT AREA, AND 75MICROINCH MINIMUM PURE TIN ON SOLDER TAIL, UNDER 50MICROINCH MINIMUM Ni PLATE.
 (b)30MICROINCH MINIMUM GOLD(Au) ON THE CONTACT AREA, AND 75MICROINCH MINIMUM PURE TIN ON SOLDER TAIL, UNDER 50MICROINCH MINIMUM Ni UNDER PLATE.
 (c)GOLD FLASH ON THE CONTACT AREA, AND 75MICROINCH MINIMUM MATTE TIN ON SOLDER TAIL, UNDER 50MICROINCH MINIMUM Ni PLATE.
 METAL SHELL:
 (d)100MICROINCH MINIMUM BRIGHT TIN ON THE METAL SHELL, AND 50MICROINCH MINIMUM Ni AND 100MICROINCH MINIMUM Cu PLATE.
 (e)100MICROINCH MINIMUM MATTE TIN ON THE METAL SHELL, AND 50MICROINCH MINIMUM Ni AND 100MICROINCH MINIMUM Cu PLATE.

3.RECOMMENDED PCB THICKNESS: 1.60 ± 0.05mm
 4.PRODUCT SPECIFICATION REFER TO PS-89485
 5. TRAY PACKAGING SPECIFICATION REFER TO PK-89485-002
 TUBE PACKAGING SPECIFICATION REFER TO PK-89485-001
 TUBE PACKAGING P/N, PLEASE REFER TO SHEET 2.3

DIMENSION*A*	P/N	PLATING	TERMINAL CONTACT PLATING	TERMINAL SOLDER PLATING	METAL SHELL PLATING
2.00 +0.35 -0.15	89485-8000	SEE NOTES(a)+(d)	GOLD FLASH	75 MICRO INCH BRIGHT TIN	100 MICRO INCH BRIGHT TIN
	89485-8001	SEE NOTES(b)+(d)	30 MICRO INCH GOLD		
2.00 +0.35 -0.10	89485-8002	SEE NOTES(a)+(d)	GOLD FLASH	75 MICRO INCH MATTE TIN	100 MICRO INCH MATTE TIN
	89485-8003	SEE NOTES(b)+(d)	30 MICRO INCH GOLD		
▽B	89485-8012	SEE NOTES(c)+(e)	GOLD FLASH		



REVISED	EC NO: SH2007-0468	2007/01/19
	DRWN: HYE01	2007/01/19
	CHKD: WANG	2007/01/19
	APPR: INCHEH	2007/01/26

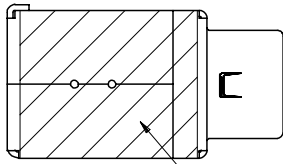
QUALITY SYMBOLS	DESCRIPTION
▽=0	
▽C=0	

GENERAL TOLERANCES (UNLESS SPECIFIED)	
mm	INCH
4 PLACES ± ---	± ---
3 PLACES ± ---	± ---
2 PLACES ± 0.25	± .010
1 PLACE ± 0.25	± .010
ANGULAR ± 3 °	

DIMENSION STYLE	
MM ONLY	
DRAWN BY	DATE
DAVID HU	
CHECKED BY	DATE
APPROVED BY	DATE
MATERIAL NO.	
SEE TABLE	

SCALE	DESIGN UNITS	THIRD ANGLE PROJECTION
4:1	METRIC	☉
TITLE		
SINGLE PORT UP-RIGHT USB CONNECTOR LEAD-FREE		
MOLEX INCORPORATED		
DOCUMENT NO.	SHEET NO.	
SD-89485-003	1 OF 3	

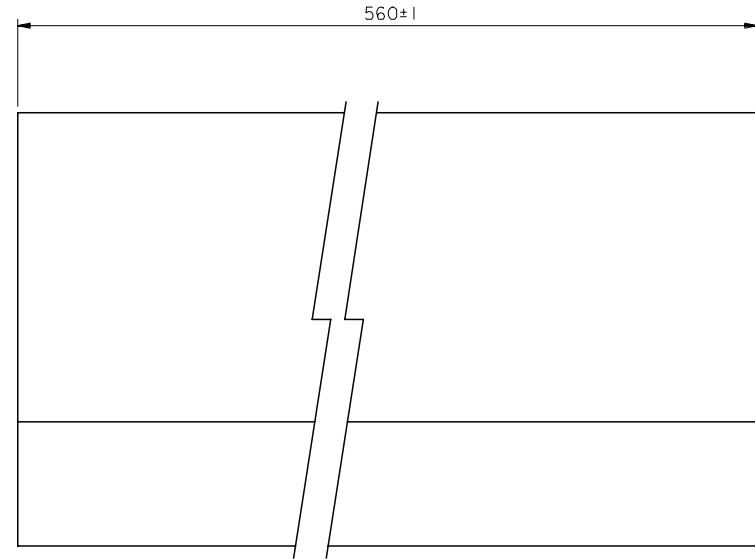
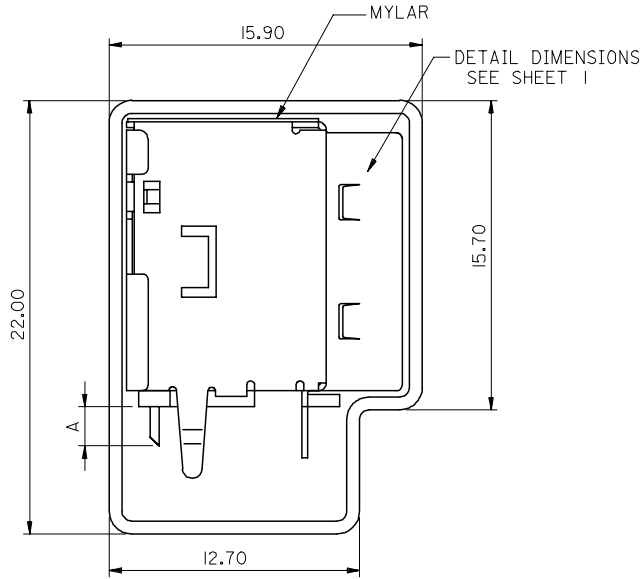
10 9 8 7 6 5 4 3 2 1



MYLAR AREA

NOTE:

- 1.DETAIL DIMENSIONS ,PLEASE REFER TO SHEET 1 OF SD-89485-003
- 2.THE TUBE PACKAGE INCLUDE TWO PLUGS ON RIGHT AND LEFT SIDES.
- 3.TUBE PACKAGING SPECIFICATION REFER TO: PK-89485-001



PART NUMBER LEGEND:

P/N FOR TUBE PACKING AND MYLAR ADDITION			
MATERIAL NUMBER	DIMENSION 'A'	PLATING SPECIFICATION	
WITH MYLAR	2.00 ^{+0.35} / _{-0.15}	GOLD FLASH PLATING ON CONTACT AREA	
		30 MICRO INCH GOLD PLATING ON CONTACT AREA	
WITH MYLAR	2.50 ^{+0.35} / _{-0.10}	GOLD FLASH PLATING ON CONTACT AREA	
		30 MICRO INCH GOLD PLATING ON CONTACT AREA	

REVISED	EC NO: SH2007-0468	2007/01/19
	DRWN:HYE01	2007/01/19
	CHKD:WANG	2007/01/19
	APPR:JNCHEN	2007/01/26

QUALITY SYMBOLS	DESCRIPTION
▽=0	
▽C=0	

	GENERAL TOLERANCES (UNLESS SPECIFIED)	
	MM	INCH
4 PLACES	± ---	± ---
3 PLACES	± ---	± ---
2 PLACES	± 0.25	± .010
1 PLACE	± 0.25	± .010
ANGULAR ± 3 °		

DIMENSION STYLE		SCALE	DESIGN UNITS	THIRD ANGLE PROJECTION
MM ONLY		4:1	METRIC	☉
DRAWN BY	DATE	TITLE		
DAVID HU		SINGLE PORT UP-RIGHT USB CONNECTOR LEAD-FREE		
CHECKED BY	DATE	MOLEX INCORPORATED		
APPROVED BY	DATE	MOLEX INCORPORATED		
MATERIAL NO.		DOCUMENT NO.	SHEET NO.	
SEE TABLE		SD-89485-003	2 OF 3	

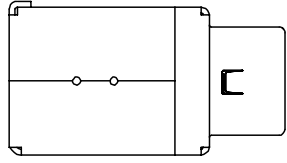
DRAFT WHERE APPLICABLE MUST REMAIN WITHIN DIMENSIONS			
SIZE	THIS DRAWING CONTAINS INFORMATION THAT IS PROPRIETARY TO MOLEX INCORPORATED AND SHOULD NOT BE USED WITHOUT WRITTEN PERMISSION		
A3			

9 8 7 6 5 4 3 2 1

10 9 8 7 6 5 4 3 2 1

F

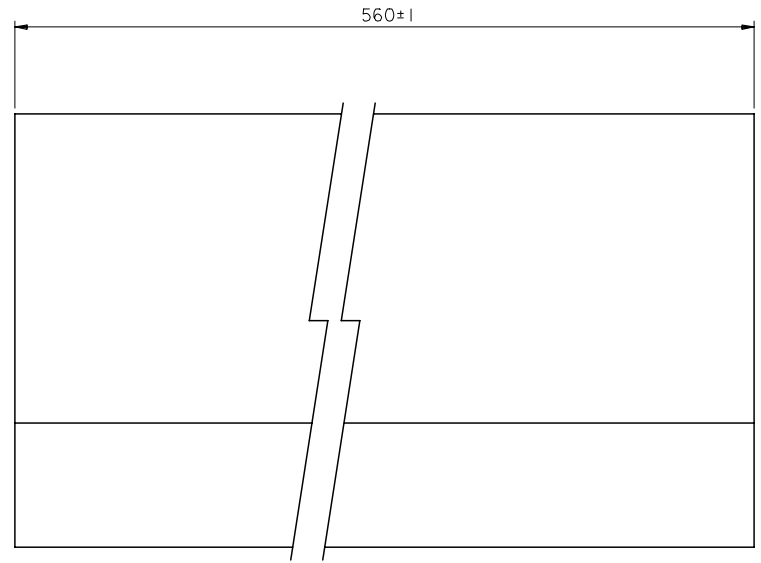
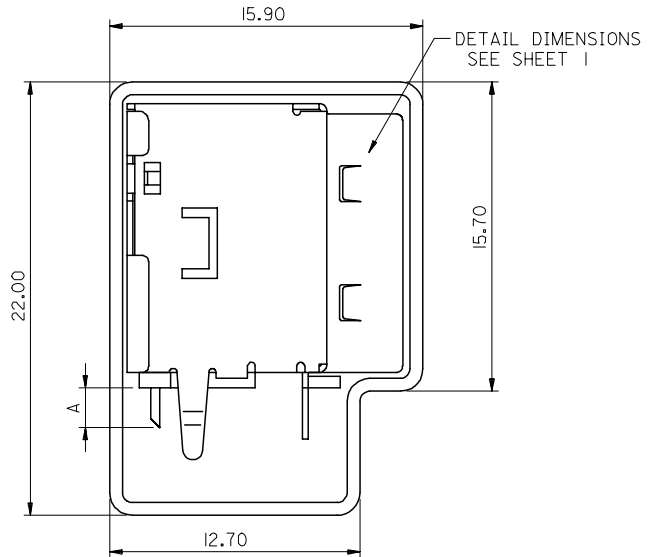
F



NOTE:
 1.DETAIL DIMENSIONS , PLEASE REFER TO SHEET 1 OF SD-89485-003
 2.THE TUBE PACKAGE INCLUDE TWO PLUGS ON RIGHT AND LEFT SIDES.
 3.TUBE PACKAGING SPECIFICATION REFER TO: PK-89485-001

E

E



D

D

C

C

B

B

PART NUMBER LEGEND:

P/N FOR TUBE PACKING			
MATERIAL NUMBER	DIMENSION *A	PLATING SPECIFICATION	
WITHOUT MYLAR	2.00 ^{+0.35} _{-0.15}	GOLD FLASH PLATING ON CONTACT AREA	
		30 MICRO INCH GOLD PLATING ON CONTACT AREA	
89485-8202	2.50 ^{+0.35} _{-0.10}	GOLD FLASH PLATING ON CONTACT AREA	
		30 MICRO INCH GOLD PLATING ON CONTACT AREA	

REVISED	EC NO: SH2007-0468	2007/01/19
DRWN:HYE01	CHKD:WANG	2007/01/19
APPR:JNCHEN		2007/01/26

QUALITY SYMBOLS	DESCRIPTION
▽=0	
▽C=0	

	GENERAL TOLERANCES (UNLESS SPECIFIED)	
	mm	INCH
4 PLACES	± ---	± ---
3 PLACES	± ---	± ---
2 PLACES	± 0.25	± .010
1 PLACE	± 0.25	± .010
ANGULAR ± 3 °		

DIMENSION STYLE		SCALE	DESIGN UNITS	THIRD ANGLE PROJECTION
MM ONLY	DATE	4:1	METRIC	
DRAWN BY	DAVID HU	TITLE	SINGLE PORT UP-RIGHT USB CONNECTOR LEAD-FREE	
CHECKED BY		APPROVED BY	DATE	
MATERIAL NO.		DOCUMENT NO.	SHEET NO.	
SEE TABLE		SD-89485-003	3 OF 3	

DRAWN BY		DAVID HU	DATE	
CHECKED BY			DATE	
APPROVED BY			DATE	
MATERIAL NO.		DOCUMENT NO.		SHEET NO.
SEE TABLE		SD-89485-003		3 OF 3

9 8 7 6 5 4 3 2 1